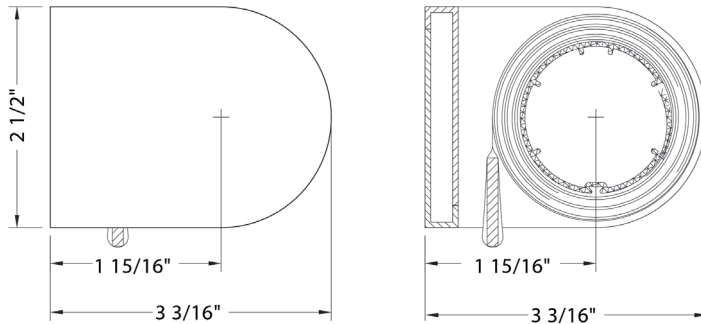


System Options

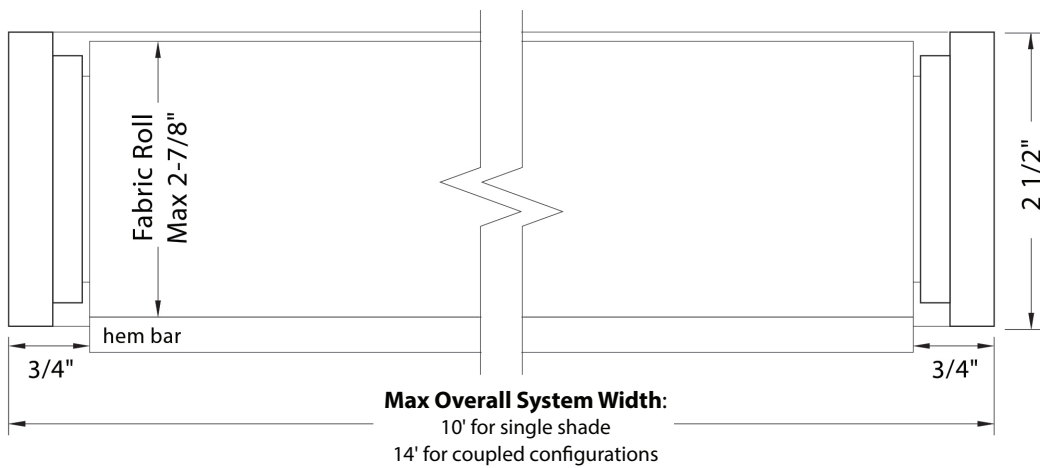
	Manual Shades	Wire-Free Rechargeable Shades	Hardwired Shades
Hardware finishes	Silver Aluminum Black Aluminum	Silver Aluminum Black Aluminum	Silver Aluminum Black Aluminum
No visible wires or screws	✓	✓	✓
Floating mount option (horizontal to wall or trim)	✓	✓	✓
Ceiling mount option (vertical to ceiling surface)	✓	✓	✓
Jamb mount option (vertical to jamb head)	✓	✓	✓
Single shade configuration (no couplers)	✓	✓	✓
Double shade configuration (one coupler)	✓	✓	✓
Triple shade configuration (two couplers)		✓	✓
Quad shade configuration (three couplers)		✓	✓
Minimum system width	15 9/16 in	15 9/16 in*	15 9/16 in
Single shade configuration max system width	10 ft	10 ft	10 ft
Coupled shade configuration max system width	14 ft	14 ft	14 ft

*External battery pack required for wire-free shades less than 25 in wide.

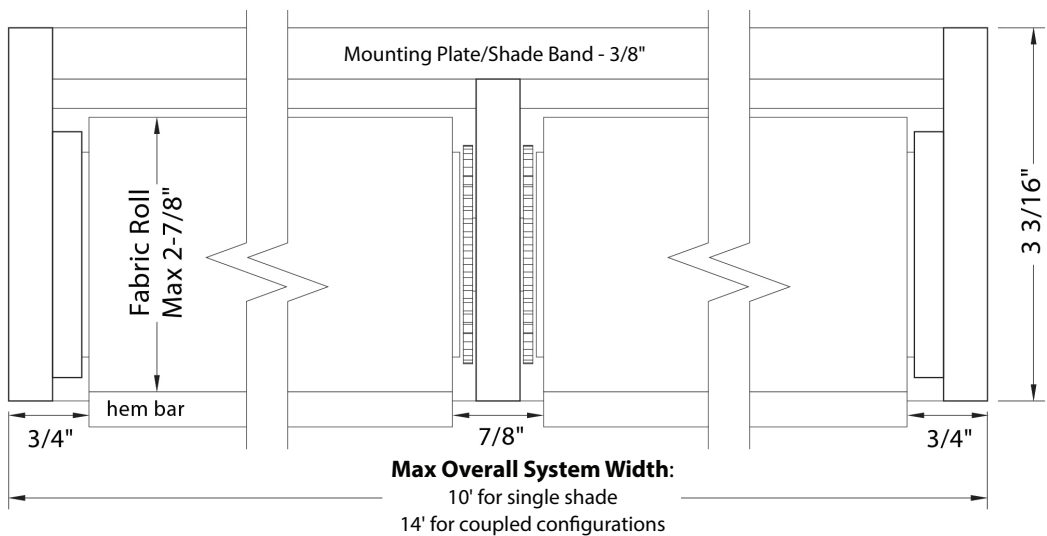
System Dimensions



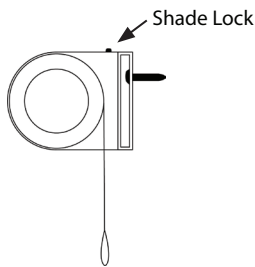
Horizontal Orientation - Mounting Plate Concealed Behind Shade Roll



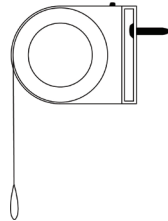
Vertical Orientation - Shown with Optional Coupler Bracket



Orientation Options



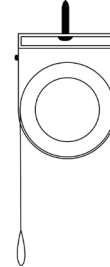
1. Horizontal standard roll with lock facing up



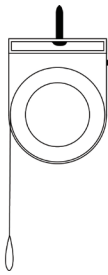
2. Horizontal reverse roll with lock facing up



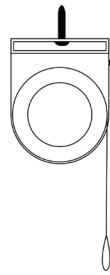
3. Vertical standard roll with lock facing room



4. Vertical reverse roll with lock facing room



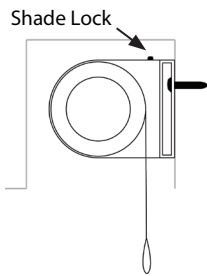
5. Vertical reverse roll with lock facing window



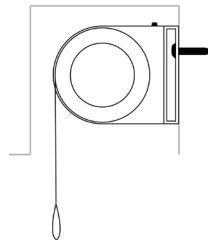
6. Vertical standard roll with lock facing window

- Horizontal orientations (1 and 2) appropriate for wall or flat trim
- Vertical orientations (3 - 6) appropriate for ceiling, pocket or jamb head
- Room facing lock orientation (3 and 4) ideal for pocket applications when lock will be concealed (see below)
- Window facing lock orientation (5 and 6) appropriate for exposed ceiling application when no pocket is present to hide lock
- Reverse roll (2, 4, or 5) when shade must clear window/door hardware
- .5" clearance needed for shade lock access

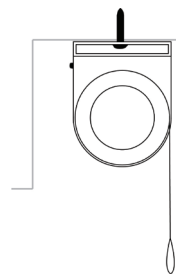
Pocket Installation + Lock Clearance



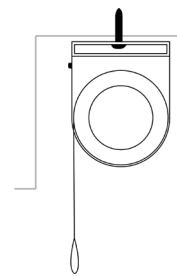
1. Horizontal standard roll with lock facing up



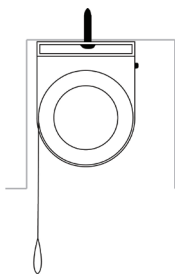
2. Horizontal reverse roll with lock facing up



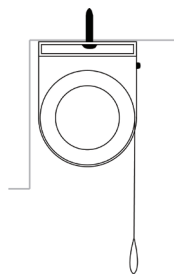
3. Vertical standard roll with lock facing room



4. Vertical reverse roll with lock facing room



5. Vertical reverse roll with lock facing window



6. Vertical standard roll with lock facing window

- Horizontal and vertical orientations suitable for pocket installation
- Reverse roll (2, 4, or 5) when shade must clear window/door hardware
- .5" clearance needed for shade lock access

Motors

	Description	Torque	Power/Draw Requirements	Min. Total Width (shade fabric + brackets)
J Geiger Smart	Wired for power and control	3 Nm	24-30 vDC	22 1/2 in
J Geiger RF	Wired for power; controlled by RF signal	3 Nm	24-30 vDC	22 1/2 in
Rollease DCRF Q2.0	Wired for power; controlled by RF signal	2 Nm	12 vDC	21 in
Rollease DCRF 1.1	Wired for power; controlled by RF signal	1.1 Nm	12 vDC	15 5/16 in
Rollease EQ2.0	Wire-free, rechargeable motor	2 Nm	5 vDC	29 7/16 in
Rollease EQ1.1	Wire-free, rechargeable motor	1.1 Nm	5 vDC	25 5/8 in
Battery Powered Rollease DCRF Q2.0	Wire-free motor w/ external battery pack	2 Nm	12vDC	21 in
Battery Powered Rollease DCRF 1.1	Wire-free motor w/ external battery pack	1.1 Nm	12 vDC	15 5/16 in
Manual	Pull Chain	-	-	15 5/16 in

Control Options



Rollease Paradigm 1 Channel Remote



Rollease Push 5 Remote (available in black or white)



Rollease Push 15 Remote (available in black or white)



Rollease Paradigm 5 Flush Mount Keypad



Rollease 1 Channel Keypad



Rollease 15 Channel Keypad



Rollease Dry Contact Input Transmitter for RF Devices



J Geiger 1 Channel Remote

Control Options Cont'd



J Geiger 6 Channel Remote



Ball Chain
(available in silver and black)

Integration Hubs



Automate Pulse 2



Bond



Bond Pro

	Automate Pulse 2	Bond	Bond Pro
App	Automate	Bond	Bond
Open/close percentage feature	✓		✓
Battery life indicator	✓		
Timed shade automation	✓	✓	✓
Integrates with Alexa	✓	✓	✓
Integrates with Google Home	✓	✓	✓
Integrates with Siri	✓	✓	✓
Integrates with Apple Home Kit	✓		
Integrates with Control4	✓	✓	✓
Integrates with Crestron	✓	✓	✓
Integrates with Savant	✓	✓	✓
Range	1,250 sq ft	2,500 sq ft	3,500 sq ft
Approximate setup time	20 minutes	10 minutes	10 minutes
Controls other RF products (TVs, fans, etc.)		✓	✓
Hardwired ethernet connection available	✓		✓